

Standard 4MP IR Vandal Proof Mini Dome Network Camera



Key Benefits

- 4MP resolution (2560×1440), H.265
- True day / night
- Up to 30m IR distance
- 3D DNR, HLC & BLC, True WDR
- Triple streams
- Smart codec by ROI
- PoE power supply
- Basic intelligent video analytics
- IP67 / IK10
- NDAA Compliant

The illustra Standard Vandal Proof Mini Dome camera from Tyco offers resolution upto 4MP with inbuilt IR for operations in low light conditions. The affordable feature-rich camera supports intelligent video analytics (IVA) at the edge to cater to multiple site requirements. It captures high resolution images in variety of lighting conditions with features such as Auto Day/Night, Defog and True Wide Dynamic Range. Rated IP67 & IK10 for an additional degree of environmental and vandal protection respectively.

Exceptional Image Quality

With 4MP @ 30fps the camera produces exceptionally high Image quality. It supports H.265/H.264 video compression, multi-level video streaming configuration, support Basic/ Main/ High Profile H.265 encoding complexity.

This dome camera can support up to 256 GB Micro SD/SDHC/SDXC card storage and 10M/100M Ethernet Port.

Authentication Support for Higher Security

Illustra IP cameras have been designed to protect against cyber-threats. Additionally, for greater security, the Camera supports three-level user authentication- management,

user and password authorization, IP address filtering and anonymous access. Basic authentication is supportable in Web browser configuration.

ONVIF Support

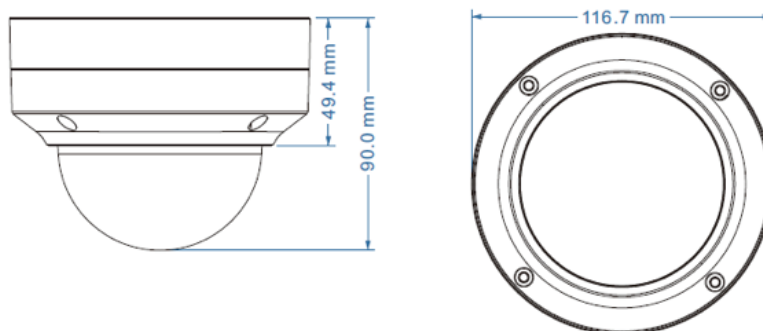
Camera supports ONVIF (Profile S, G & T) protocol, up to 3 streams providing flexibility of video stream recording, live view at different resolutions and bitrate configuration options.

Specifications

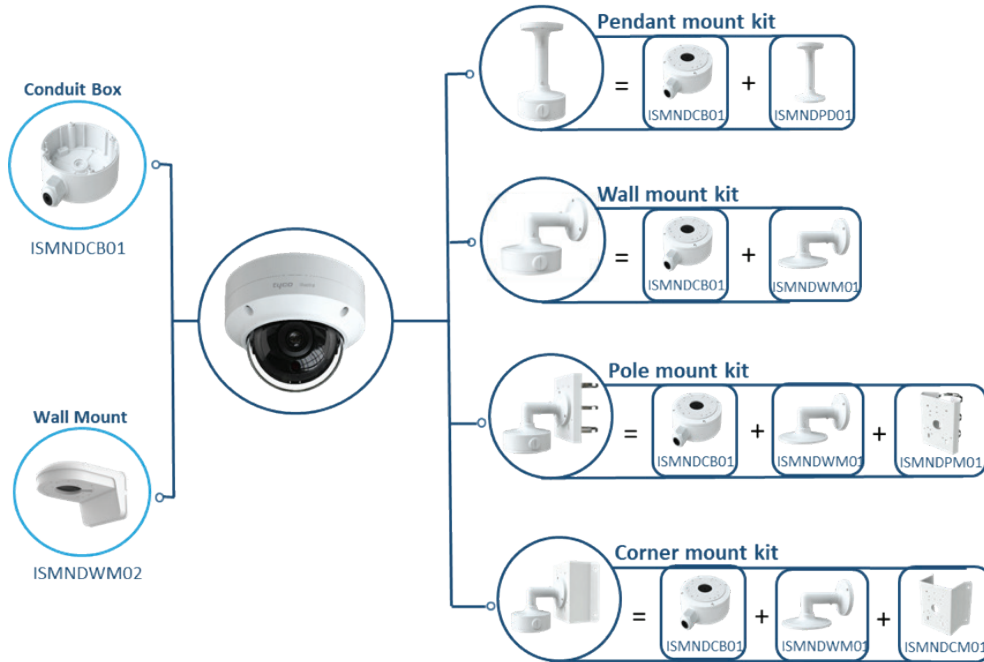
Camera	
Image Sensor	1 / 3" Progressive Scan CMOS
Effective Pixels	2560 × 1440
Min. Illumination	Color: 0.005 lux @ F1.6, AGC ON; 0 lux with IR
Shutter Speed	1 s to 1/100,000 s
S/N Ratio	≥52 dB
Angle Adjustment	Pan : 0°-355°, Tilt : 0°-67°, Rotation : 0°-355°
Lens	
Focal Length	2.8 mm @ F2.0, 3.6 mm @ F2.2
Iris Type	Fixed Iris
Field of View	2.8 mm @F1.6, horizontal field of view:94°,Vertical: 50°; 3.6 mm @F1.6, horizontal field of view: 78°, Vertical: 40°
Lens Mount	M12
Video	
Video Compression	H.265 / H.264 / MJPEG (Sub Stream/Third Stream)
H.264 Compression Standard	Base Line / Main Profile / High Profile
H.265 Compression Standard	Main Profile @ Leve4.1 High Tier
Resolution	4MP(2560×1440), 1080P(1920x1080), 720P(1280x720), D1, CIF, 480 x 240
Max. Frame Rate	30fps @ 4MP (2560×1440)
Video Bit Rate	64Kbps - 8 Mbps
Multiple Streaming	Triple streams
Main Stream	60Hz: 4MP/3MP/1080P(1-30fps); 50Hz: 4MP/3MP/1080P(1-25fps)
Sub Stream	60Hz: 720P(1-15fps)/D1 /CIF (1-30fps); 50Hz: 720P(1-12fps)/D1/CIF (1-25fps)
Third Stream	60Hz: D1/CIF/480x240 (1-30fps); 50Hz: D1/CIF/480x240 (1-25fps)
Smart Codec	ROI, 3 zones
Quality Control	Five levels under VBR; Freely adjustable under CBR
Image Setting	time stamp, text overlay, flip & mirror, ROI, Saturation, Brightness, Chroma, Contrast, True Wide Dynamic Range, Sharpen, white balance, video rotation, Scheduled profile settings, AGC
Audio Communication	Built-in Mic In, Line In
Audio Compression Format	G711A/G711U
Audio Bit Rate	128Kbps
Operational	
Day & Night	IR cut filter with auto switch
Wide Dynamic Range	120 dB
IR Distance	Up to 30M
Digital Zoom	Yes
Image Features	Defog, BLC, HLC, 2D/3D DNR
Corridor Pattern	Yes
Video Privacy	4 zones video mask
Intelligent Video Analytics	Scene change and video blur detection, intrusion and line crossing

Alarm Triggers	Motion detection, Intelligent video analytics, Network disconnect, video tampering, IP address conflict, illegal login, SD Card full, SD Card error, Alarm input, Alarm output
Edge Storage	Built-in micro SD card slot, up to 256GB
Network	
Network Protocol	TCP/IP, UDP, DHCP, NTP, RTSP, PPPoE, DDNS, SMTP, FTP, UPnP, Unicast, Multicast, ICMP, HTTP, HTTPS, DNS, DDNS, RTP, RTCP, IGMP, 802.1X, QoS, Ipv4, Ipv6
Cyber Security	HTTPS / IP Filter / IEEE 802.1X / Blacklist & whitelist / account security / telnet access control / serial password
Online Connection	Support simultaneous monitoring for up to 4 users; Support multi-stream real time transmission
Remote Monitoring API	Webviewer browsing, Holis Pro, Holis Lite, ExacqVision, Victor ONVIF Profile (S, G & T), iAPI3, HAPI3
Interface	
Network	1 RJ45 10M/100M self-adaptive Ethernet port
Onboard Storage	Built-in micro SD/SDHC/SDXC slot
Hardware Reset	Yes
Audio	Built-in Mic In, Line In
Environmental	
Operating Temperature	- 30 °C to 60 °C
Operating Humidity	10 % to 90 % relative humidity
Ingress Protection	IP67
Vandal Resistance	IK10
General	
Power Supply	DC12V / PoE
Power Consumption	<4.5W
Dimensions (mm)	∅ 116.7 × 90
Material	Metals
Weight	≈ 0.61kg
Installation	Ceiling mounting (Wall mounting available with the junction box and bracket)
Warranty	3 years
Regulatory	
Emissions	FCC Part 15.107 Class A, FCC Part 15.109 Class A , EN 55032, EN 55035 (IEC 61000-4-2, IEC 61000-4-3, IEC 61000-4-4, IEC 61000-4-5, IEC 61000-4-6, IEC 61000-4-8)
Immunity	EN 55030-4
Safety	UL 62368-1, IEC 62368-1 EN 62368-1, CAN/CSA C22.2 No. 62368-1-14, J62368-1, AS/NZS 62368.1
Environment	RoHS (IEC 62321-3-1, IEC 62321-5, IEC 62321-4, IEC 62321-6, IEC 62321-7, IEC 62321-7-2, IEC 62321-8), WEEE, REACH
NDAA Compliant	Yes

Dimensions



Accessories



Ordering Information

	Model Number	Description
Camera	ISE-V04F284-N	H.265 4MP IR Vandal Proof Dome N/W Camera, 2.8mm, 30M IR, Micro SD, DC12V/PoE, IP67/IK10, IVA
Camera	ISE-V04F364-N	H.265 4MP IR Vandal Proof Dome N/W Camera, 3.6mm, 30M IR, Micro SD, DC12V/PoE, IP67/IK10, IVA
Accessories	ISMNDCB01	Conduit Box for mini Vandal Dome
Accessories	ISMNDPD01	Pendant mount with conduit box for mini Vandal Dome (use with ISMNDCB01)
Accessories	ISMNDWM01	Wall mount for mini Vandal Dome (use with ISMNDCB01)
Accessories	ISMNDPM01	Pole mount for mini Vandal Dome (use with ISMNDWM01 & ISMNDCB01)
Accessories	ISMNDCM01	Corner mount for mini Vandal Dome (use with ISMNDWM01 & ISMNDCB01)
Accessories	ISMNDWM02	Wall mount for mini Vandal Dome

About Johnson Controls

Johnson Controls is a global diversified technology and multi-industrial leader serving a wide range of customers in more than 150 countries. Our 120,000 employees create intelligent buildings, efficient energy solutions, integrated infrastructure and next generation transportation systems that work seamlessly together to deliver on the promise of smart cities and communities. Our commitment to sustainability dates back to our roots in 1885, with the invention of the first electric room thermostat.

For additional information, please visit www.tycosecurityproducts.in or follow Illustra on LinkedIn, Twitter, and Facebook.