

Standard 4MP V/F IR Bullet Network Camera



Key Benefits

- 4MP resolution (2560×1440), H.265
- 30fps @ 4MP
- True day / night
- Up to 50m IR distance
- 3D DNR, HLC & BLC, True WDR
- Triple streams
- Smart codec by ROI
- PoE power supply
- Basic intelligent video analytics
- IP67 / IK10
- NDAA Compliant

The illustra Standard Manual Varifocal Bullet camera from Tyco offers resolution upto 4MP with inbuilt IR for operations in low light conditions. The affordable feature-rich camera supports intelligent video analytics (IVA) at the edge to cater to multiple site requirements. It captures high resolution images in variety of lighting conditions with features such as Auto Day/Night, Defog and True Wide Dynamic Range. Rated IP67 & IK10 for an additional degree of environmental and vandal protection respectively.

Exceptional Image Quality

With 4MP @ 30fps the camera produces exceptionally high Image quality. It supports H.265/H.264 video compression, multi-level video streaming configuration, support Basic/ Main/ High Profile H.265 encoding complexity.

This bullet camera can support up to 256 GB Micro SD/SDHC/SDXC card storage and 10M/100M Ethernet Port.

Authentication Support for Higher Security

Illustra IP cameras have been designed to protect against cyber-threats. Additionally, for greater security, the Camera supports three-level user authentication- management,

user and password authorization, IP address filtering and anonymous access. Basic authentication is supportable in Web browser configuration.

ONVIF Support

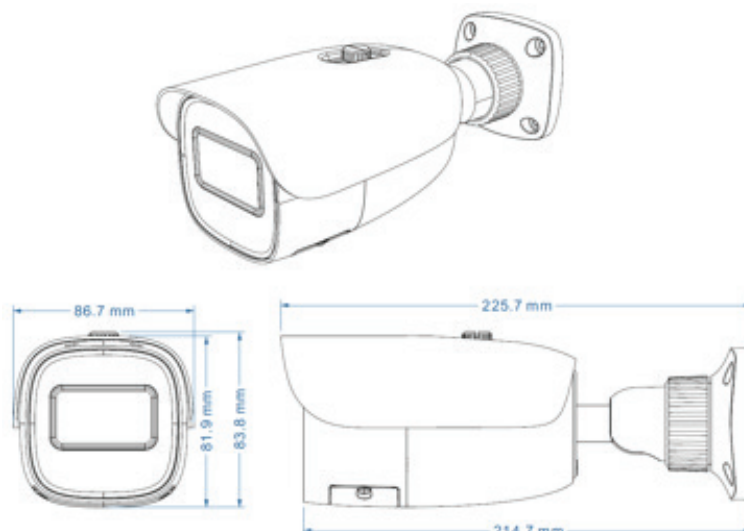
Camera supports ONVIF (Profile S, G & T) protocol, up to 3 streams providing flexibility of video stream recording, live view at different resolutions and bitrate configuration options.

Specifications

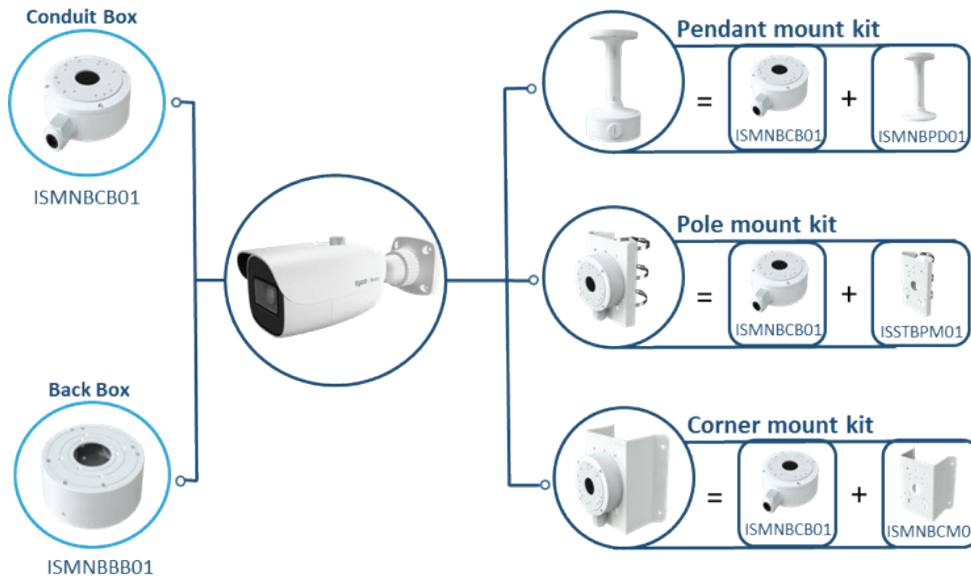
| Camera | |
|-----------------------------|--|
| Image Sensor | 1/3, Progressive Scan CMOS |
| Effective Pixels | 2560 × 1440 |
| Min. Illumination | Color: 0.005 lux @ F1.6, AGC ON; 0 lux with IR |
| Shutter Speed | 1 s to 1/100,000 s |
| S/N Ratio | ≥52 dB |
| Angle Adjustment | Any angle |
| Lens | |
| Focal Length | 2.8 - 12 mm @ F1.4, manual varifocal zoom lens |
| Iris Type | Fixed Iris |
| Field of View (H/V) | Horizontal: 92° ~ 31° Vertical: 48°-17.2° |
| Lens Mount | ∅ 14 |
| Video | |
| Video Compression | H.265 / H.264 / MJPEG (Sub Stream/Third Stream) |
| H.264 Compression Standard | Base Line / Main Profile / High Profile |
| H.265 Compression Standard | Main Profile @ Level 4.1 High Tier |
| Resolution | 4MP(2560×1440), 3MP(2304×1296), 1080P(1920×1080), 720P(1280×720), D1, CIF, 480 x 240 |
| Max. Frame Rate | 30fps @ 4MP (2560×1440) |
| Video Bit Rate | 64 Kbps ~ 8 Mbps |
| Multiple Streaming | Triple streams |
| Main Stream | 60Hz: 4MP/3MP/1080P/720P(1-30fps); 50Hz: 4MP/3MP/1080P/720P(1-25fps) |
| Sub Stream | 60Hz: 720P(1-15fps)/D1/CIF (1-30fps); 50Hz: 720P(1-12fps)/D1(1-25fps)/CIF(1-25fps) |
| Third Stream | 60Hz: D1/CIF/480x240(1-30fps); 50Hz: D1/CIF/480x240(1-25fps) |
| Smart Codec | ROI, 3 zones |
| Quality Control | Five levels under VBR; Freely adjustable under CBR |
| Image Setting | time stamp, text overlay, flip & mirror, ROI, Saturation, Brightness, Chroma, Contrast, True Wide Dynamic Range, Sharpen, white balance, video rotation, Scheduled profile settings, AGC |
| Audio Communication | Line In |
| Audio Compression Format | G711A/G711U |
| Audio Bit Rate | 128Kbps |
| Operational | |
| Day & Night | IR cut filter with auto switch |
| Wide Dynamic Range | True WDR |
| IR Distance | Up to 50M |
| Digital Zoom | Yes |
| Image Features | Defog, BLC, HLC, 2D/3D DNR |
| Corridor Pattern | Yes |
| Video Privacy | 4 zones video mask |
| Intelligent Video Analytics | Scene change and video blur detection, intrusion and line crossing |

| | |
|-----------------------|--|
| Alarm Triggers | Motion detection, Intelligent video analytics, Network disconnect, video tampering, IP address conflict, illegal login, SD Card full, SD Card error, Alarm input, Alarm output |
| Edge Storage | Built-in micro SD card slot, up to 256GB |
| Network | |
| Network Protocol | TCP/IP, UDP, DHCP, NTP, RTSP, PPPoE, DDNS, SMTP, FTP, UPnP, Unicast, Multicast, ICMP, HTTP, HTTPS, DNS, DDNS, RTP, RTCP, IGMP, 802.1X, QoS, IPv4, IPv6 |
| Cyber Security | HTTPS / IP Filter / IEEE 802.1X / Blacklist & whitelist / account security / telnet access control / serial password |
| Online Connection | Support simultaneous monitoring for up to 4 users; Support multi-stream real time transmission |
| Remote Monitoring API | Webviewer browsing, Holis Pro, Holis Lite, ExacqVision, Victor ONVIF Profile (S & G & T), iAPI3, HAPI3 |
| Interface | |
| Network | 1 RJ45 10M/100M self-adaptive ethernet port |
| Audio | Line In |
| Onboard Storage | Built-in micro SD/SDHC/SDXC slot |
| Hardware Reset | Yes |
| Environmental | |
| Operating Temperature | - 30 °C to 60 °C |
| Operating Humidity | 10 % to 90 % relative humidity |
| Ingress Protection | IP67 |
| Vandal Resistance | IK10 |
| General | |
| Power Supply | DC12V / PoE |
| Power Consumption | < 8W |
| Dimensions (mm) | 225.7x86.7x83.8 |
| Material | Metals |
| Weight | ≈ 0.7kg |
| Installation | Wall mounting, ceiling mounting |
| Warranty | 3 years |
| Regulatory | |
| Emissions | FCC Part 15.107 Class A, FCC Part 15.109 Class A , EN 55032, EN 55035 (IEC 61000-4-2, IEC 61000-4-3, IEC 61000-4-4, IEC 61000-4-5, IEC 61000-4-6, IEC 61000-4-8) |
| Immunity | EN 55030-4 |
| Safety | UL 62368-1, IEC 62368-1 EN 62368-1, CAN/CSA C22.2 No. 62368-1-14, J62368-1, AS/NZA 62368.1 |
| Environment | RoHS (IEC 62321-3-1, IEC 62321-5, IEC 62321-4, IEC 62321-6, IEC 62321-7, IEC 62321-7-2, IEC 62321-8), WEEE, REACH |
| NDAA Compliant | Yes |

Dimensions



Accessories



Ordering Information

| | Model Number | Description |
|-------------|----------------|--|
| Camera | ISE-B04V014S-N | H.265 4MP Manual V/F IR Bullet N/W Camera, 2.8-12mm, 50M IR, Micro SD, DC12V/PoE, IP67/IK10, IVA |
| Accessories | ISMNBCB01 | Conduit Box for mini IR Bullet |
| Accessories | ISMNBBC01 | Backbox for mini IR Bullet |
| Accessories | ISMNBPD01 | Pendant mount for mini IR Bullet (use with ISMNBCB01) |
| Accessories | ISMNBPM01 | Pole mount for mini IR Bullet (use with ISMNBCB01) |
| Accessories | ISMNBCM01 | Corner mount for mini IR Bullet (use with ISMNBCB01) |

About Johnson Controls

Johnson Controls is a global diversified technology and multi-industrial leader serving a wide range of customers in more than 150 countries. Our 120,000 employees create intelligent buildings, efficient energy solutions, integrated infrastructure and next generation transportation systems that work seamlessly together to deliver on the promise of smart cities and communities. Our commitment to sustainability dates back to our roots in 1885, with the invention of the first electric room thermostat.

For additional information, please visit www.tycosecurityproducts.in or follow Illustra on LinkedIn, Twitter, and Facebook.