

Illustra

Data Sheet

Illustra Standard Gen3 2MP 32x Network IR PTZ Outdoor Camera



Key Benefits

- 1/2.8" progressive scan CMOS
- Up to 1920x1080 resolution
- Excellent low-light performance
- 32x Optical Zoom, 16x Digital zoom
- WDR, HLC, BLC, 3D DNR, Defog, Regional Exposure, Regional Focus
- Up to 250m IR distance
- 24 VAC & Hi-PoE
- Support H.265+/H.265 video compression

The Illustra Standard IP PTZ outdoor camera Model ISIN-P02Z321-N is an excellent camera for security-critical environments where locating, tracking and zooming in on subject details with speed is vital. This versatile camera by Tyco is one of the most feature-rich cameras on the market today and boasts a 360° endless pan and -15°-90° tilt range and remarkable intelligence while supporting functions like Smart Tracking, Defog, ROI encoding, and HLC. Inbuilt IR LED is an outstanding feature as it enhances the camera's night vision capabilities of detection over long distances.

System Function

The Illustra Standard IP PTZ incorporates a 2MP high performance, progressive scan CMOS sensor for full HD quality images up to 1920x1080 resolutions at 30 FPS frame rate. The camera supports smart tracking, scheduled PTZ movement and 3D intelligent positioning function for auto tracking to the specified zone. The camera has a preset accuracy of $\pm 0.1^\circ$. The camera excels while performing in low light conditions requiring a minimum Illumination of 0.005Lux @ (F1.6, AGC ON) in color and 0.001Lux @ (F1.6, AGC ON) for B/W images.

A 3D DNR effectively reduces image noise in static as well as moving images. A host of other features like auto focus, auto white balance and backlight compensation are also inbuilt into the camera including a convenient auto day and night switch.

Complete Convenience with a Suite of Smart Functions

The camera has a host of intelligent features which make security surveillance a breeze for security staff. Apart from convenience, smart features are vital for rapid decision-making and responses in security alert situations. The camera supports a complete suite of smart functions that range from smart tracking, smart detection and smart recording.

Security professionals will truly appreciate the camera's smart detection as it supports Line crossing detection, intrusion detection, region entrance detection, region exiting detection, unattended baggage detection, object removal detection, audio exception detection.

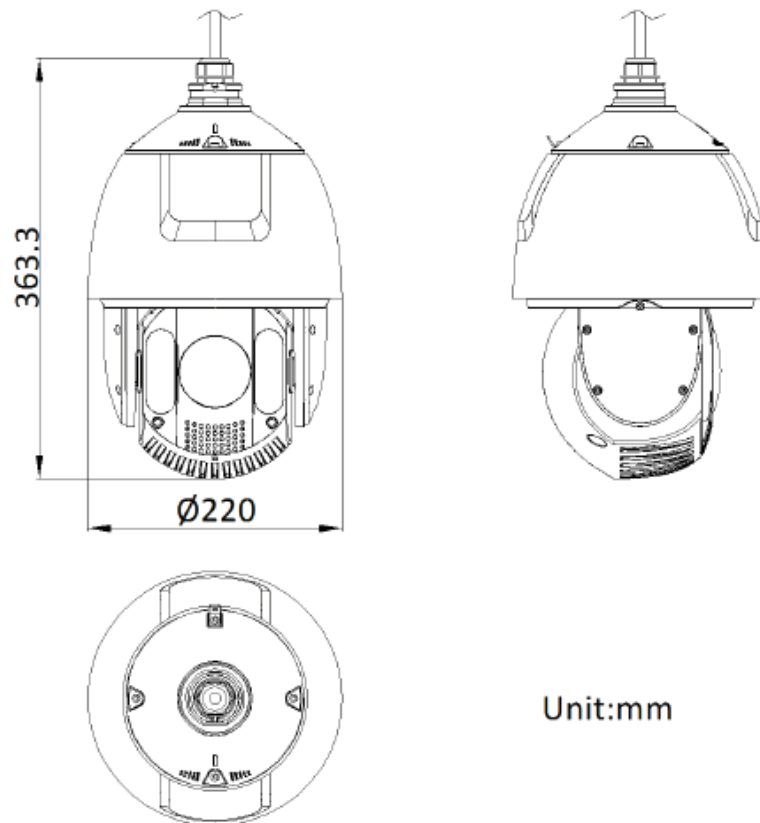
Specifications

Camera	
Image Sensor	1/2.8" progressive scan CMOS
Min. Illumination	Color: 0.005 Lux @ (F1.6, AGC ON) B/W: 0.001 Lux @ (F1.6, AGC ON) 0 Lux with IR
Shutter Speed	1/1s to 1/30000s
Slow Shutter	Supported
Day & Night	IR cut filter
Zoom	32x optical, 16x digital
Lens	
Focal Length	4.8 mm to 153 mm
Zoom Speed	approx. 4.8 s
Field of View	Horizontal field of view: 63° to 2.3° (wide-tele), Vertical field of view: 29.4° to 1.5° (wide-tele)
Aperture	Max. F1.6
Focus	Auto, semi-auto, manual
IR	
IR Distance	Up to 250m
PTZ	
Movement Range (Pan)	360°
Movement Range (Tilt)	-15° to 90° (auto flip)
Pan Speed	Configurable, from 0.1°/s to 160°/s Preset speed: 240°/s
Tilt Speed	Configurable, from 0.1°/s to 120°/s Preset speed: 200°/s
Proportional Pan	Support
Presets	300
Patrol Scan	8 patrols, up to 32 presets for each patrol
Pattern Scan	4 pattern scans
Power-off Memory	Support
Park Action	Preset, pattern scan, auto scan, tilt scan, random scan, frame scan, panorama scan
3D Positioning	Support
PTZ Status Display	Support
Preset Freezing	Support
Scheduled Task	Preset, pattern scan, patrol scan, auto scan, tilt scan, random scan, frame scan, panorama scan, dome reboot, dome adjust, aux output
Video	
Main-Stream	50 Hz: 25 fps (1920 × 1080, 1280 × 960, 1280 × 720); 60 Hz: 30 fps (1920 × 1080, 1280 × 960, 1280 × 720)
Sub-Stream	50 Hz: 25 fps (704 × 576, 640 × 480, 352 × 288); 60 Hz: 30 fps (704 × 480, 640 × 480, 352 × 240)

Third Stream	50 Hz: 25 fps (1920 × 1080, 1280 × 960, 1280 × 720, 704 × 576, 640 × 480, 352 × 288); 60 Hz: 30 fps (1920 × 1080, 1280 × 960, 1280 × 720, 704 × 480, 640 × 480, 352 × 240)
Video Compression	Main stream: H.265+/H.265/H.264+/H.264 Sub-stream: H.265/H.264/MJPEG Third stream: H.265/H.264/MJPEG
Video Bit Rate	32 kbps to 16384 kbps
H.265 Type	main profile
H.264 Type	baseline profile/main profile/high profile
SVC	H.264 and H.265 encoding
Region of Interest (ROI)	8 fixed regions for each stream
Audio	
Audio Compression	G.711alaw, G.711ulaw, G.722.1, G.726, MP2L2, AAC, PCM
Audio Bit Rate	64 Kbps (G.711)/16 Kbps (G.722.1)/16 Kbps (G.726)/32-192 Kbps (MP2L2)/16-64 Kbps (AAC)
Audio Sampling Rate	8 kHz/16 kHz/32 kHz/48 kHz
Environment Noise Filtering	Yes
Smart Features	
Face Capture	Support
Basic Event	Motion detection, video tampering alarm, exception, alarm input and output
Smart Event	Line crossing detection, intrusion detection, region entrance detection, region exiting detection, unattended baggage detection, object removal detection, audio exception detection
Smart Tracking	manual tracking, auto-tracking
Perimeter Protection	Line crossing, intrusion, region entrance, region exiting Support alarm triggering by specified target types (human and vehicle)
Alarm Linkage	Upload to FTP/NAS/memory card, notify surveillance center, send email, trigger alarm output, trigger recording, audible warning, white light flashing, and PTZ actions
Image	
Day/Night Switch	Day, Night, Auto, Schedule
Image Enhancement	BLC, HLC, 3D DNR
Wide Dynamic Range (WDR)	120 dB
Defog	Digital defog
Image Stabilization	EIS
Regional Exposure	Support
Regional Focus	Support
Image Settings	Saturation, brightness, contrast, sharpness, gain, and white balance adjustable by client software or web browser
Privacy Mask	24 programmable polygon privacy masks, mask color or mosaic configurable
SNR	> 52 dB
Network	
Network Storage	NAS (NFS, SMB/ CIFS)
Protocols	IPv4/IPv6, HTTP, HTTPS, 802.1x, QoS, FTP, SMTP, UPnP, SNMP, DNS, DDNS, NTP, RTSP, RTCP, RTP, TCP/IP, UDP, IGMP, ICMP, DHCP, PPPoE, Bonjour
ONVIF	Profile S, Profile G & Profile T
Simultaneous Live View	Up to 20 channels
User/Host	Up to 32 users, 3 user levels: administrator, operator, and user
Cyber Security	Password protection, complicated password, HTTPS encryption, 802.1X authentication (EAP-TLS, EAP-LEAP, EAP-MD5), watermark, IP address filter, basic and digest authentication for HTTP/HTTPS, RTP/RTSP over HTTPS, control timeout settings, security audit log, TLS 1.2, TLS 1.3, host authentication (MAC address)
Web Browser	Web Browser IE11, Chrome 57+, Firefox 52+, Safari 11+

Interface	
Communication Interface	1 RJ45 10M/100M self-adaptive Ethernet port
On-board Storage	Built-in memory card slot, support microSD/SDHC/SDXC card, up to 256 GB
Alarm	2 inputs, 1 output
Audio	1 input (line in), max. input amplitude: 2-2.4 vpp, input impedance: 1 k Ω \pm 10%; 1 output (line out), line level, output impedance: 600 Ω
General	
Power	24 VAC, Hi-PoE to 24 VAC, max. 42 W (including max. 18 W for IR and max. 10 W for heater); Hi-PoE
Operating Condition	-30 $^{\circ}$ C to 65 $^{\circ}$ C (-22 $^{\circ}$ F to 149 $^{\circ}$ F). Humidity 90% or less (non-condensing)
Demist	Yes
Material	ADC12
Dimension	\varnothing 220 mm \times 363.3 mm (\varnothing 8.66" \times 13.91")
Weight	Approx. 5 kg (11.03 lb.)
Approvals	
Protection	IP67 (IEC 60529-2013), IK10 (excluding glass window), TVS 6000V lightning protection, surge protection and voltage transient protection
EMC	FCC SDoC (47 CFR Part 15, Subpart B); CE-EMC (EN 55032: 2015, EN 61000-3-2: 2014, EN 61000-3-3: 2013, EN 55035:2017)
Safety	BIS (IS 13252(Part 1):2010+A1:2013+A2:2015)
Environment	RoHS, WEEE, Reach

Dimensions



Ordering Information

Type	Model Number	Description
PTZ Camera	ISIN-P02Z321-N	H.265 2MP 32x Network IP PTZ Camera, 1/2.8" CMOS, 250M IR, SD Card 256GB, IP67/IK10, Smart IVA

About Johnson Controls

Johnson Controls is a global diversified technology and multi-industrial leader serving a wide range of customers in more than 150 countries. Our 120,000 employees create intelligent buildings, efficient energy solutions, integrated infrastructure and next generation transportation systems that work seamlessly together to deliver on the promise of smart cities and communities. Our commitment to sustainability dates back to our roots in 1885, with the invention of the first electric room thermostat.

For additional information, please visit www.tycosecurityproducts.in or follow Illustra on LinkedIn, Twitter, and Facebook.

© 2024 Johnson Controls. All rights reserved. Product offerings and specifications are subject to change without notice.
Actual products may vary from photos. Not all products include all features. Availability varies by region;
contact your sales representative.